



Proposed System for Waterproofing Basements

Presented By Hussain Zulfiqar

RESSICHEM
adding life and value to your property

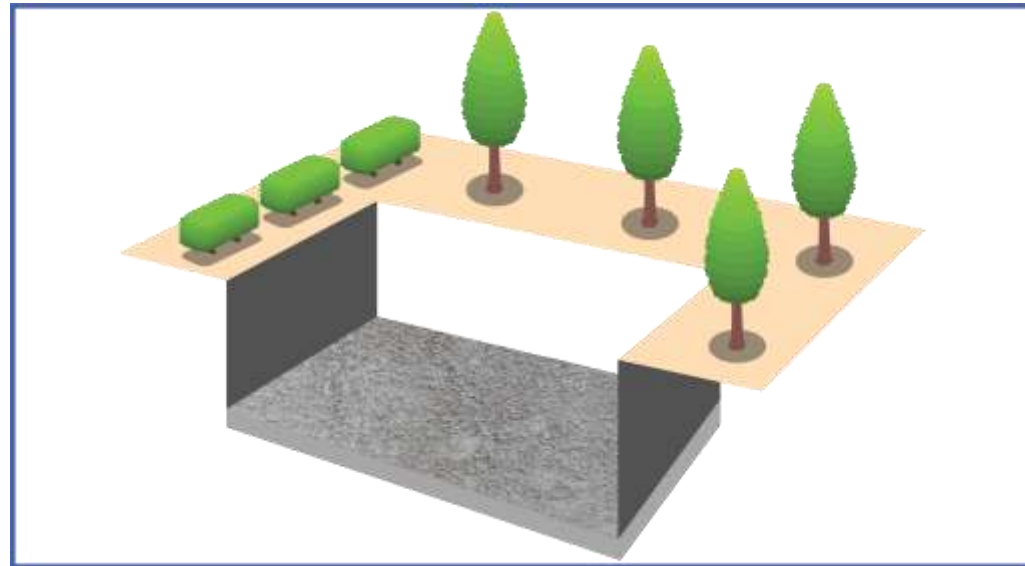
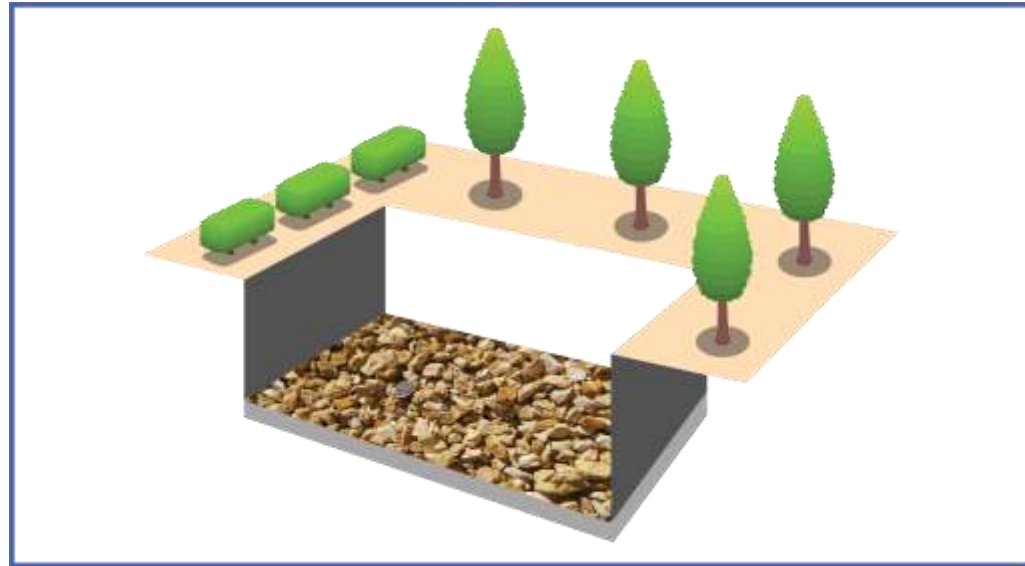
Why is basement waterproofing important

Basement waterproofing is one of the most important measures that should be taken to protect the structure. There are a lot of things that may lead to a wet basement. The walls of the basement may have cracks that allow water to leak in. Heavy rains are also one of the causes of damp basements. The basement is just as important as any part of the structure, and it is essential to keep it in good condition. For this reason, it is vital to always make sure that the basement is always dry. One of the most important reasons to waterproof the basement is that it is a big part of the foundation of the structure. This means that anything that happens to the basement contributes to what will happen to the foundation of the Structure. Ressichem has a variety of products which can be used at the time of construction to ensure long terms maintenance free basements. All these products are used as a system to ensure watertight basements.

Other Steps

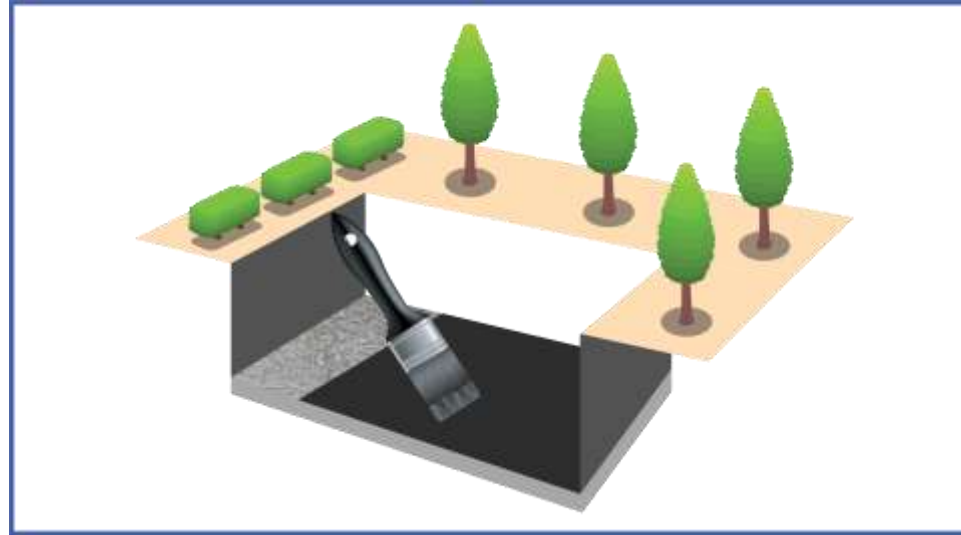
Stone Soiling

Lean Concrete



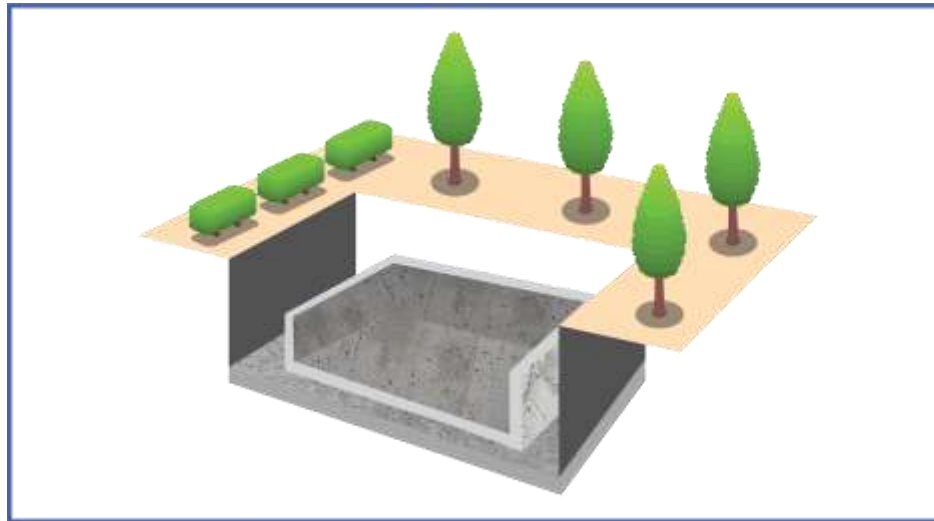
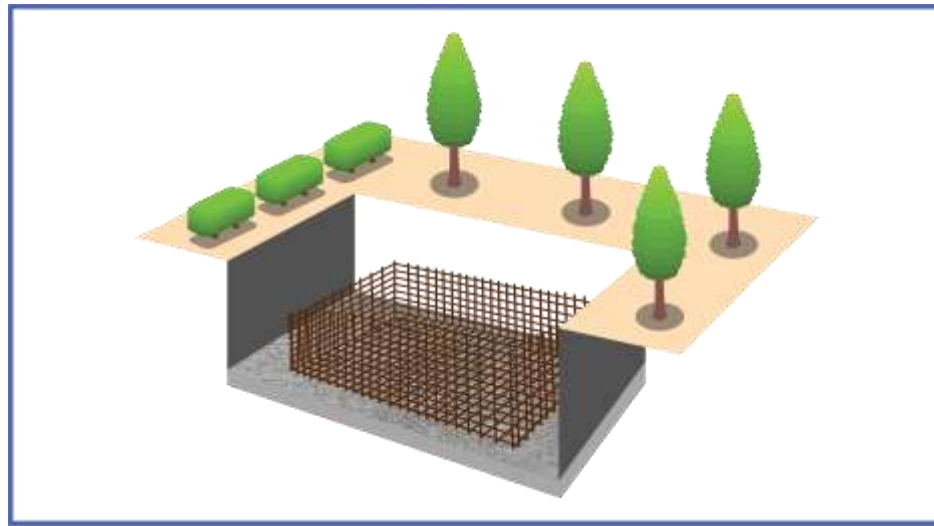
Step 1

Protection of Lean concrete with **Water Guard 491**.



Step 2

Addition of **Max Flo integra 3 (powder)** Admixture in raft and retaining wall concrete.



MAX FLO
INTEGRA 3 (POWDER)
INTEGRAL WATERPROOFING AND PLASTICIZING POWDERED ADMIXTURE



RESSICHEM
adding life and value to your property

Step 3

Application of **Ressi Swell Bar Pro 60 (Swellable bar)** in the retaining wall joint.



RESSI 
SWELL BAR PRO 60
Swellable bar for sealing concrete joints

RESSICHEM
adding life and value to your property

Step 4

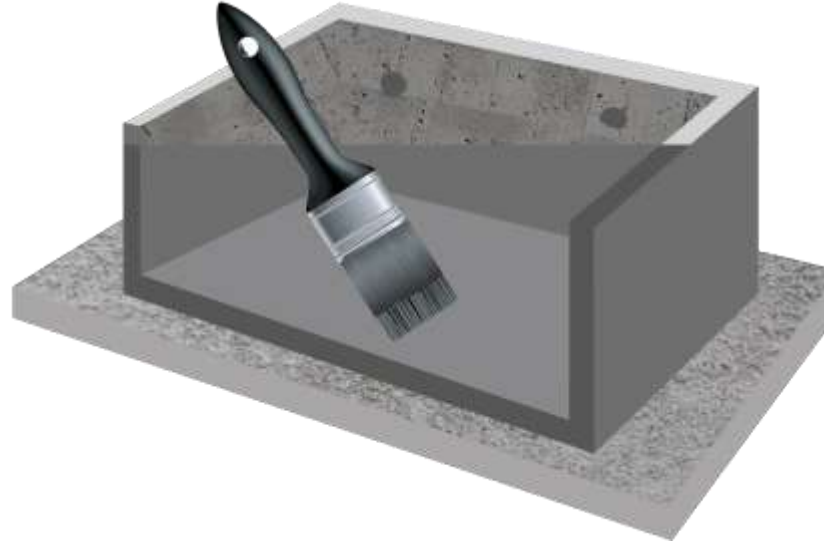
Repairing of all the concrete defects using Patch 365 Plus.



RESSICHEM
adding life and value to your property

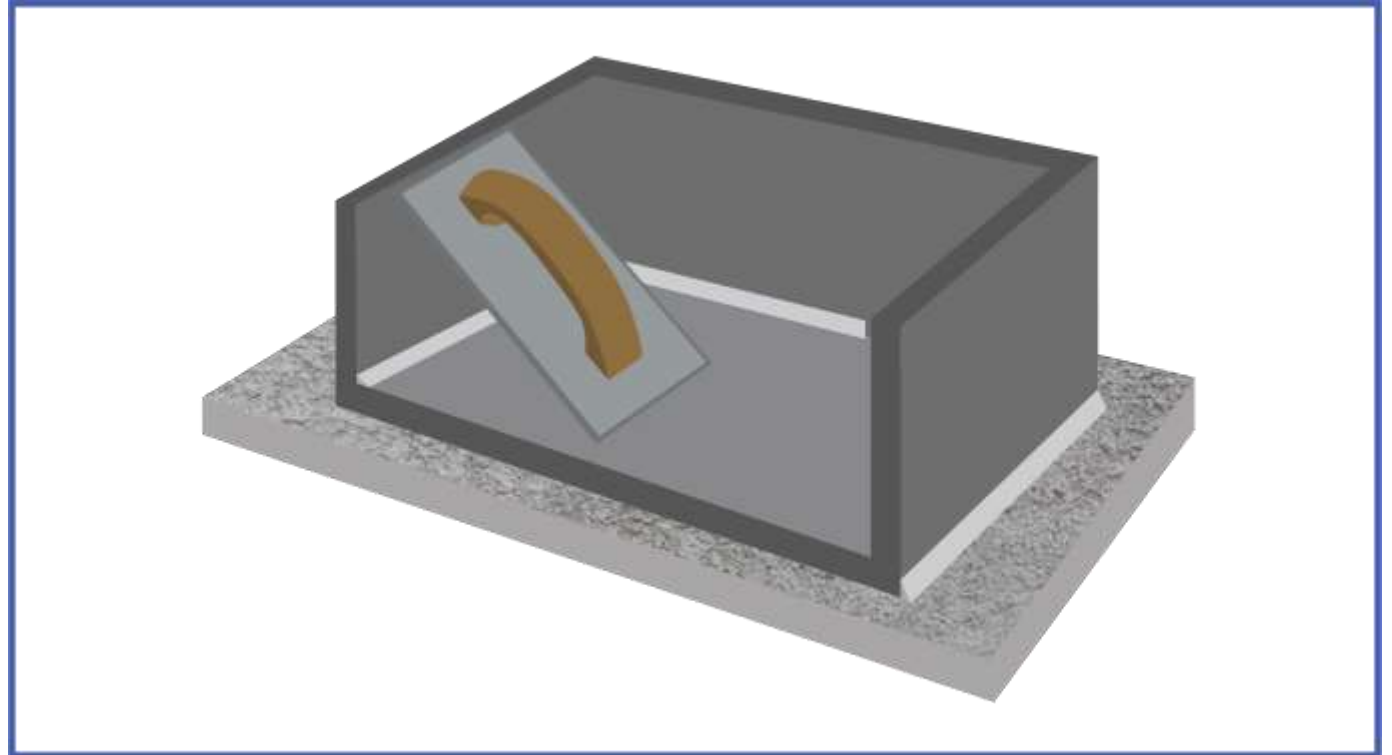
Step 5

Application of **Water Guard Crysta Coat 101** over the surface of the concrete both internal and external.



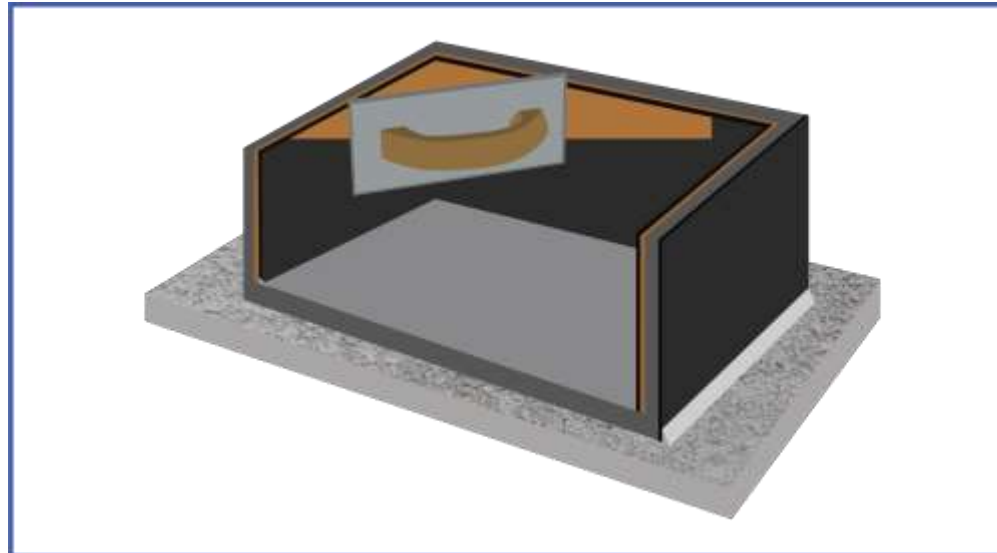
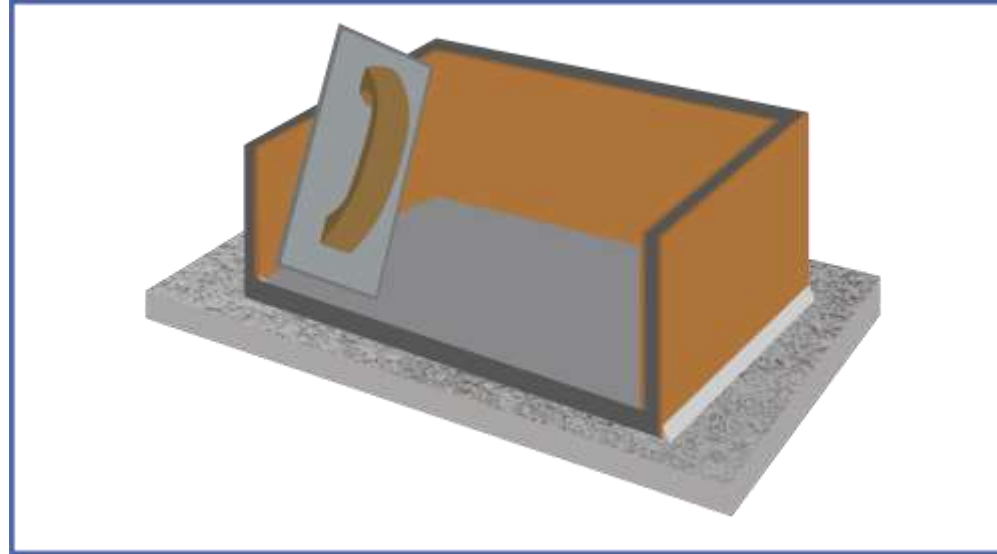
Step 6

Making external chamfers between the raft and the retaining walls using **Patch 365 Plus**.



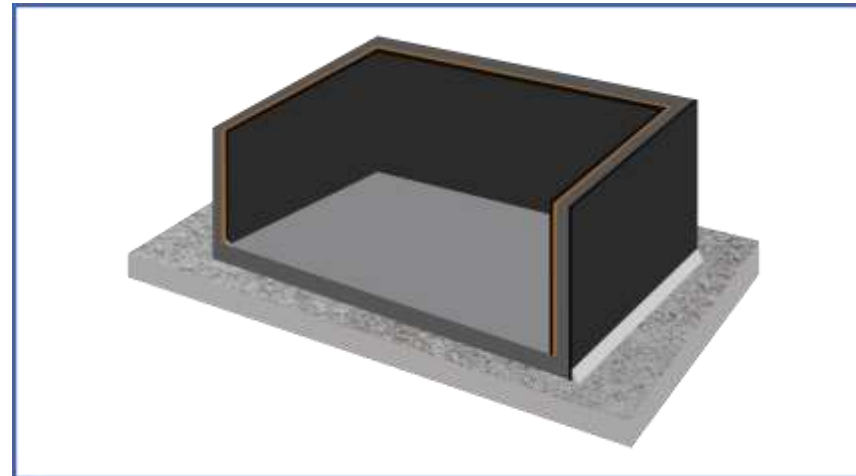
Step 7

Plastering of all the areas of the basement with the addition of **Ressi SBR 5850** and **Silmix** all over the concrete internally and externally.



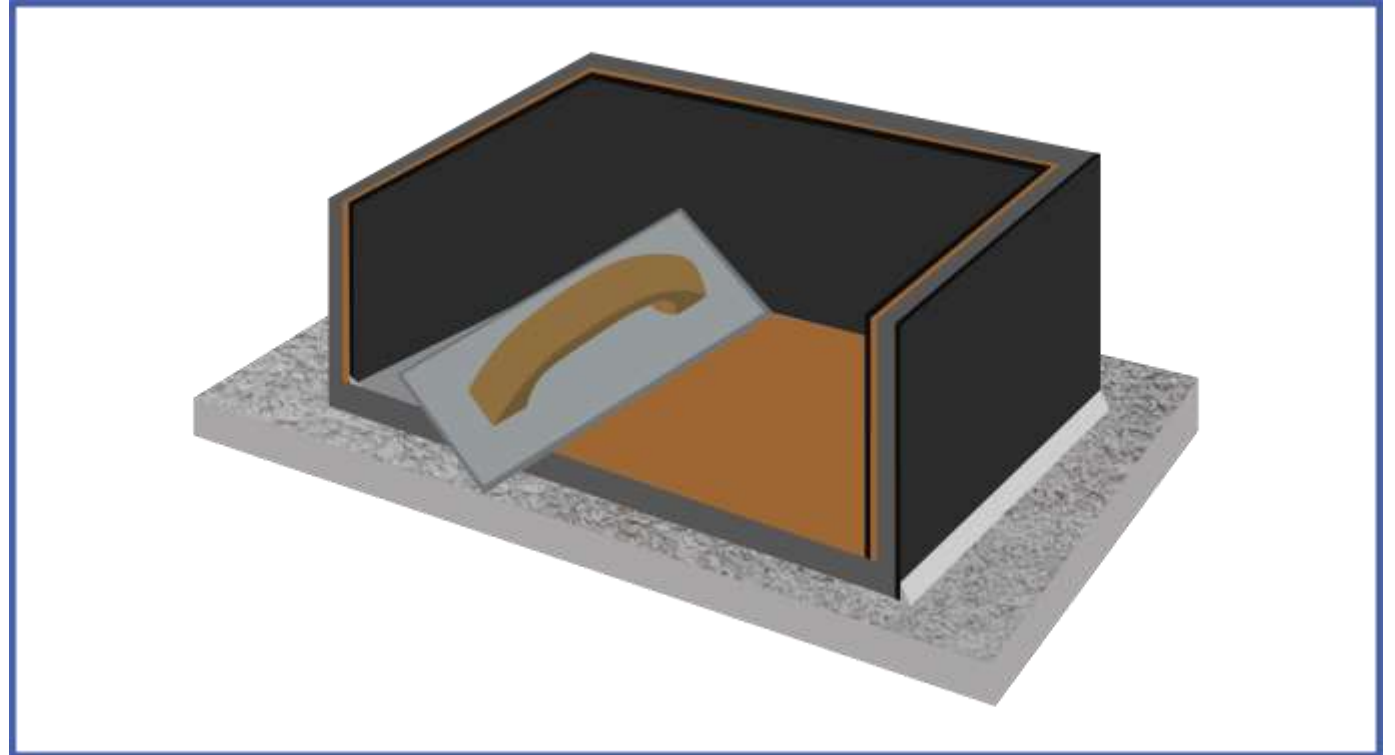
Step 8

Application of **Water Guard 491** on the external plastered surface of the basement.



Step 9

Screeding the basement
using **Ressi SBR 5850**
and **Silmix**.



SILMIX
WATERPROOFING ADMIXTURE FOR
PLASTER AND SCREED

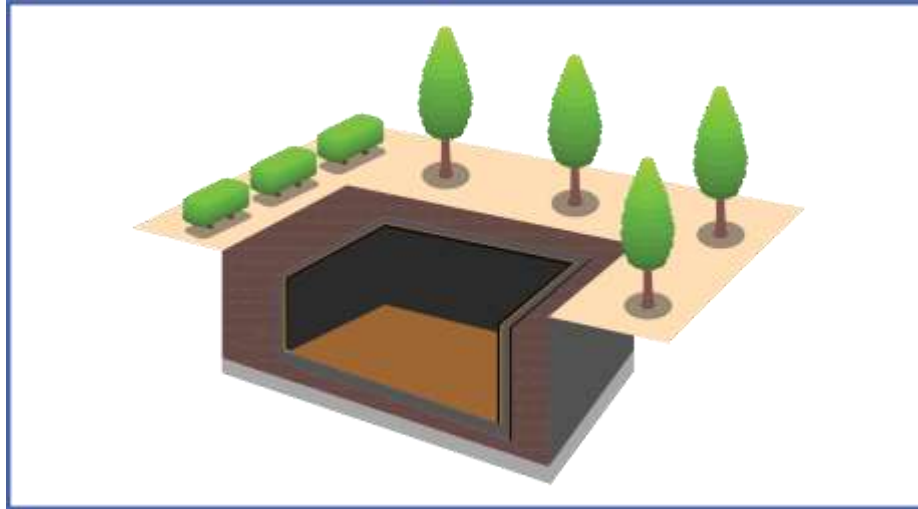
RESSI
SBR5850
STYRENE BUTADIENE RUBBER BASED BONDING
AID & ADDITIVE FOR CONCRETE AND MASONRY
(HIGH SOLID CONTENT)



RESSICHEM
adding life and value to your property

Step 10

Final inspection and
back filling.



A Durable maintenance free system for the waterproofing of basements.



Thank You

Where To Find Us

D-83, S.I.T.E., Industrial
Area, Manghopir Road, Karachi -
75530, Pakistan.

Mobile: +92 309 7772464

Tel: +92-21-32593800-02

Fax: +92-21-32593803

Email: info@ressichem.com

Website: www.ressichem.com

