

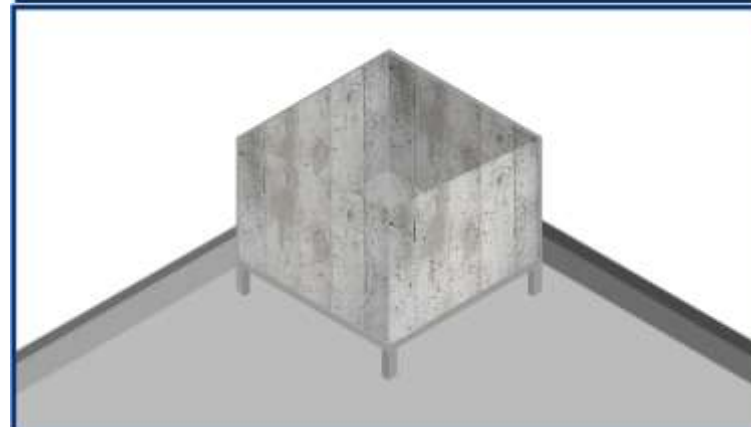
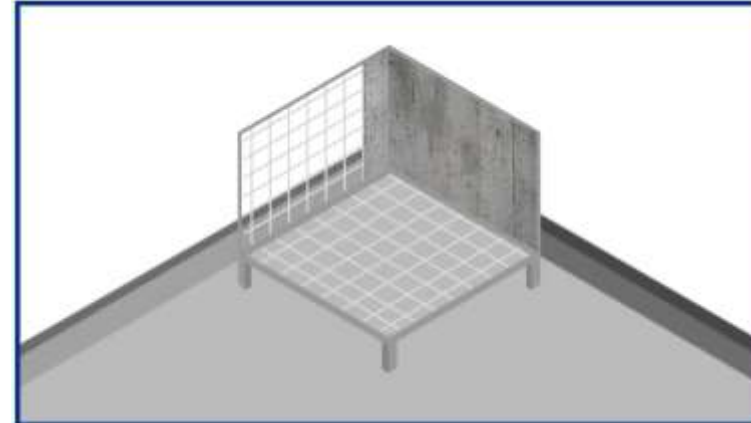
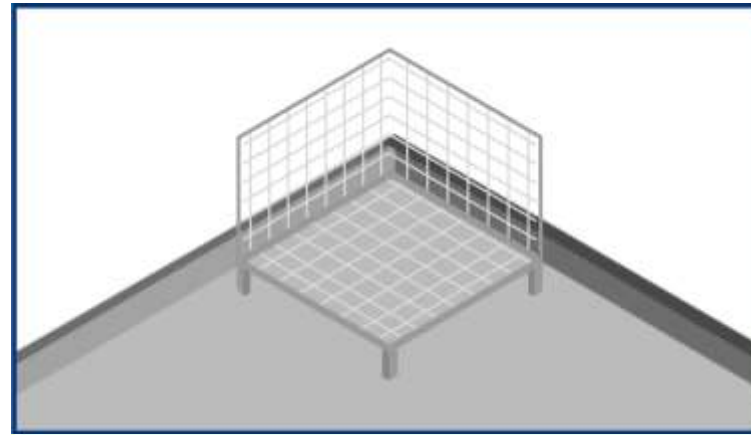
Waterproofing system for Over Head tanks

Industrial


RESSICHEM
adding life and value to your property

Step 1

Pouring of the concrete
with the addition of
Water Guard P 200



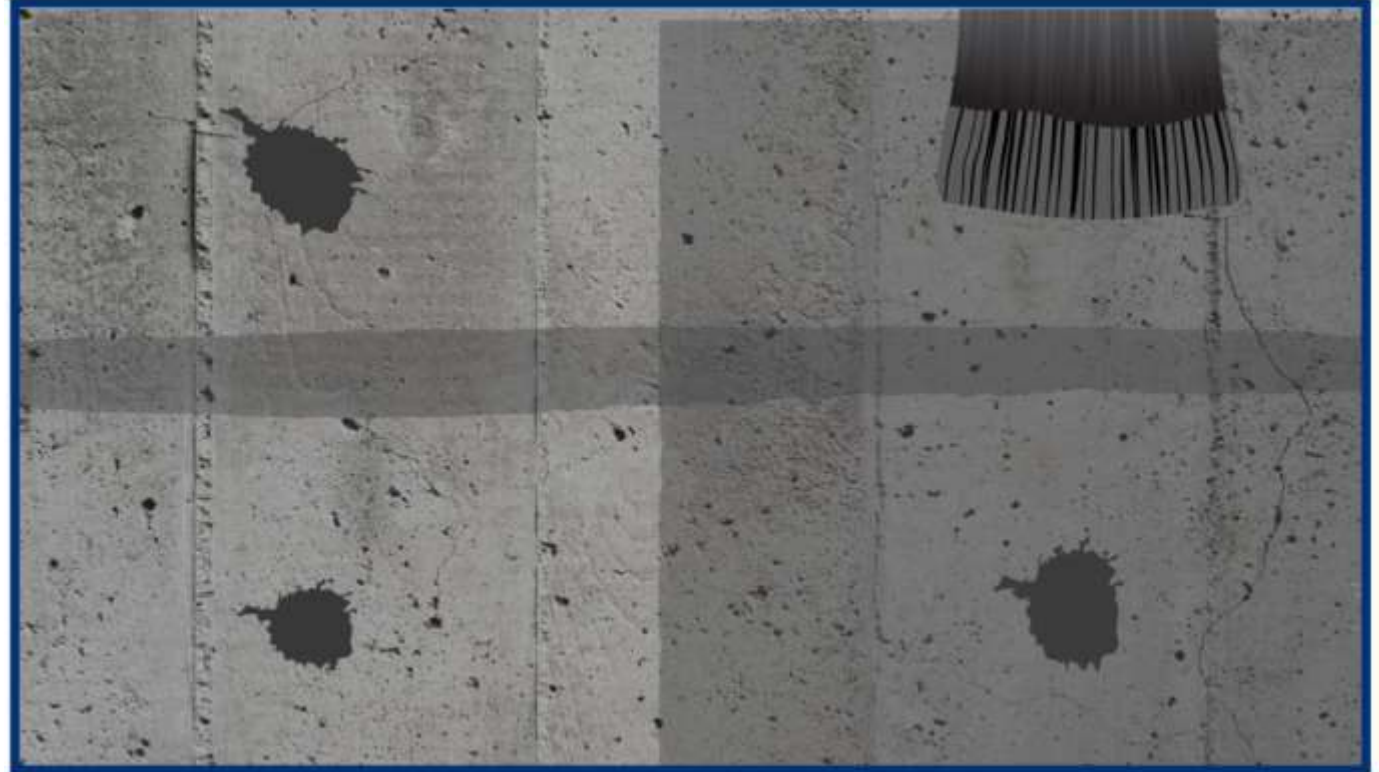
Step 2

Filling and repairing of the concrete voids with a mortar made with the inclusion of **Ressi SBR 5850** and **Silmix**.



Step 3

Application of **Water Guard Crysta Coat 102** over the prepared concrete surfaces.

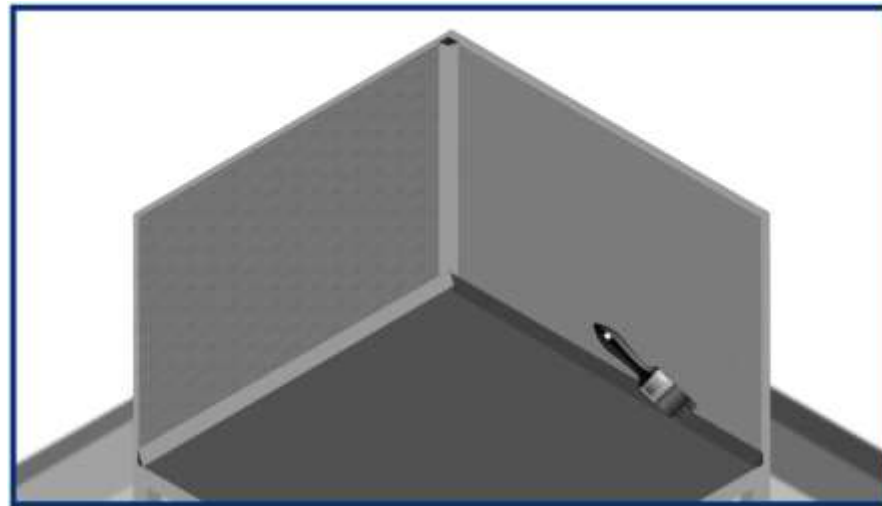
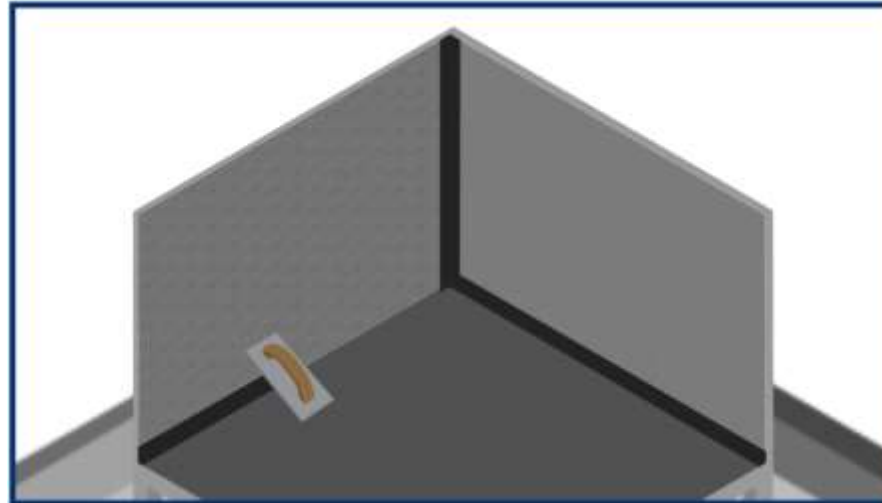


Note: 2 coats to be applied in opposite directions



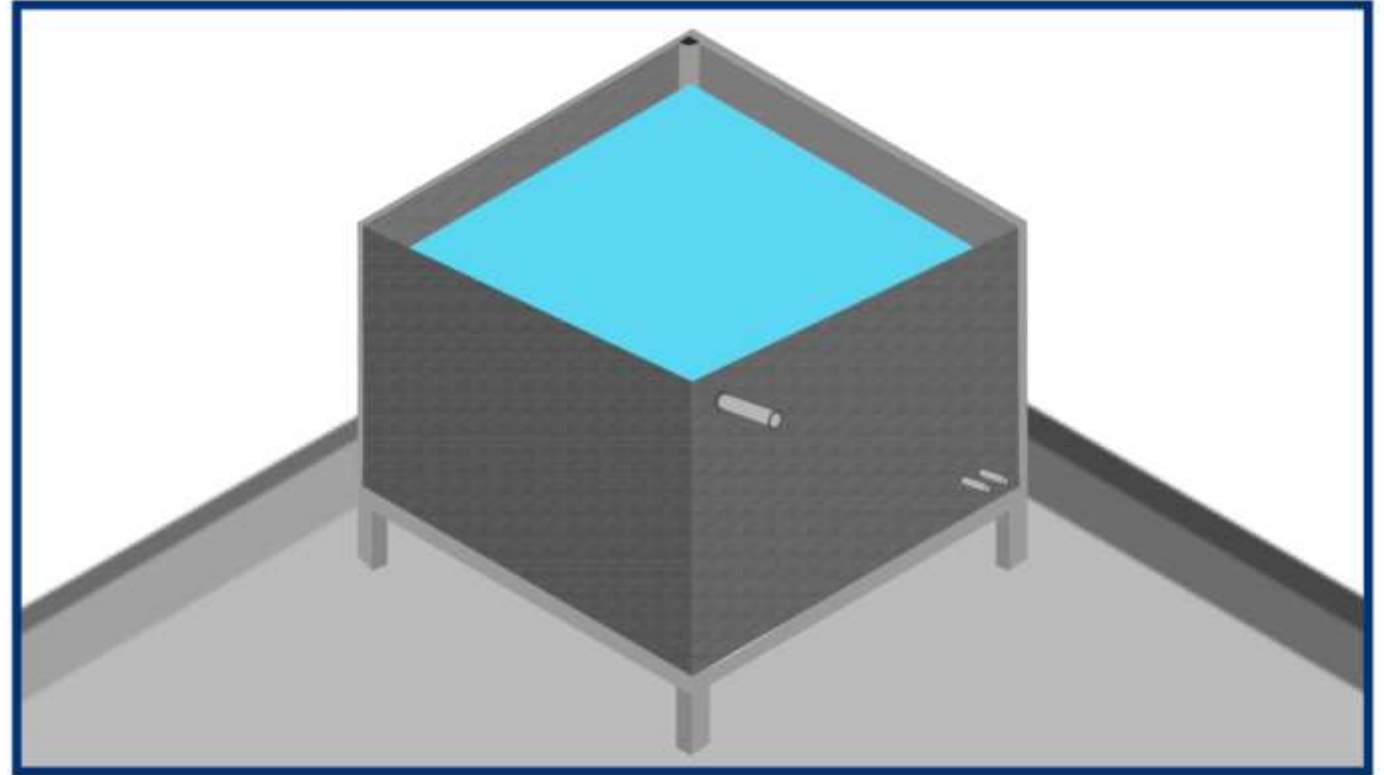
Step 4

Making of internal chamfers with a mortar comprising of **Ressi SBR 5850** and **Silmix** and coating the chamfer with **Water Guard Crysta Coat 102**



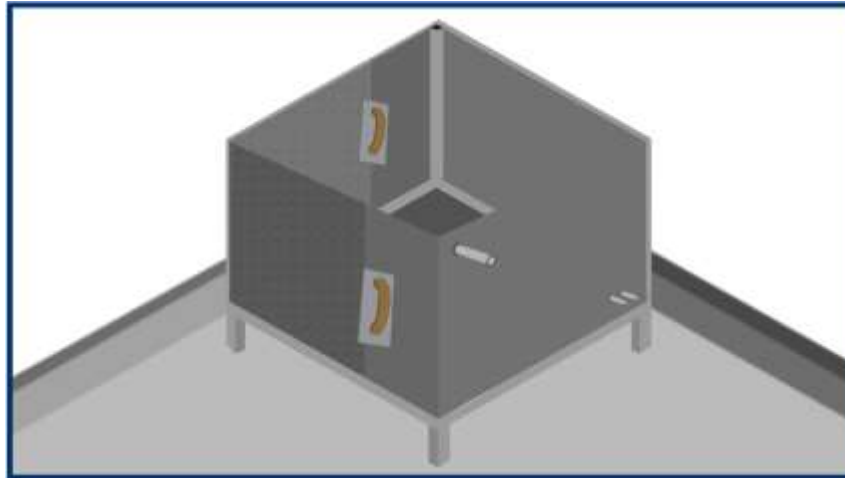
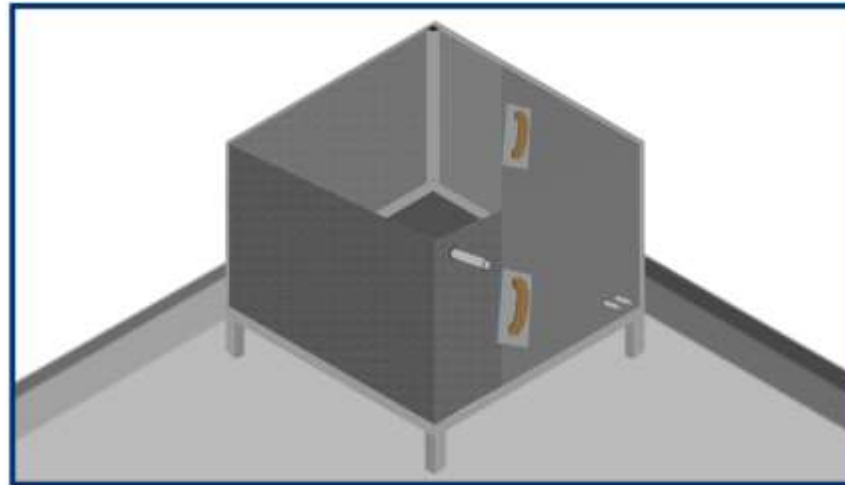
Flood Test

Once chamfer and coating works have been completed it is recommended that a flood test is conducted prior to plastering and finishing



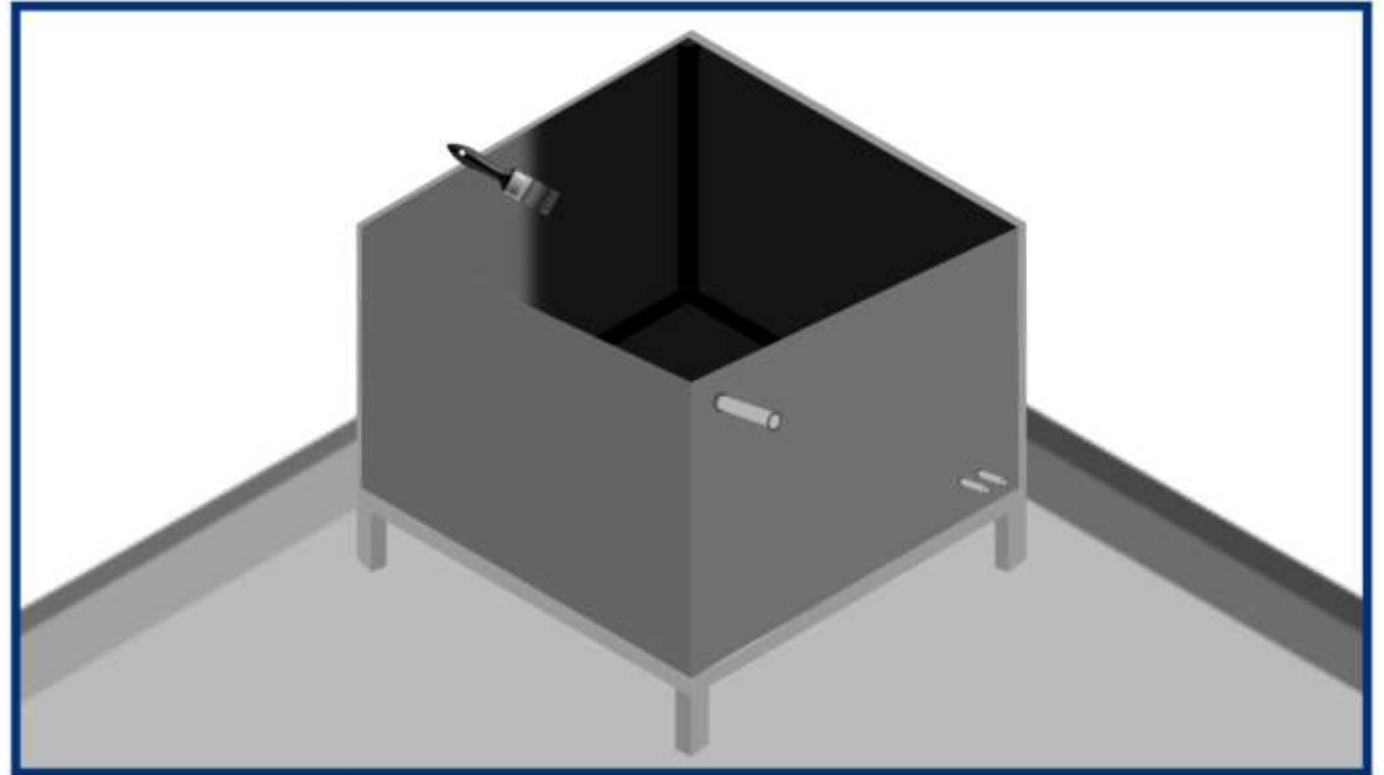
Step 5

Internal and External plastering of the OH Tank with the addition of **Silmix** and **Ressi SBR 5850** in the plastering mortar.



Step 6

Internal coating over
the plastered surface of
Water Guard 491.



RESSICHEM
adding life and value to your property

An easy to maintain solution for industrial overhead tanks



RESSICHEM
adding life and value to your property

Thank You

Where To Find Us

D-83, S.I.T.E., Industrial
Area, Manghopir Road, Karachi -
75530, Pakistan.

Mobile: +92 309 7772464

Tel: +92-21-32593800-02

Fax: +92-21-32593803

Email: info@ressichem.com

Website: www.ressichem.com

